

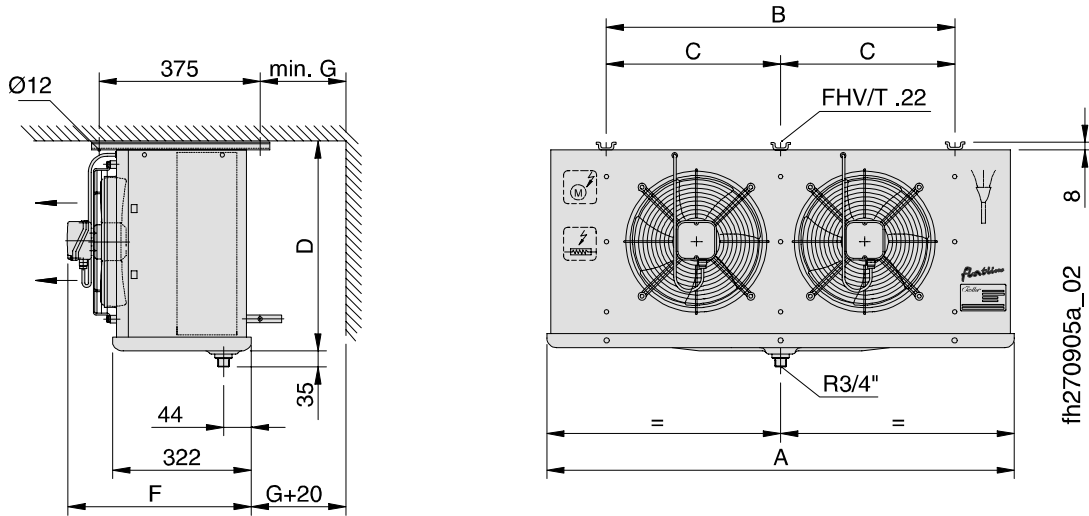
**Forced convection unit air cooler - flatline**  
**FHVT 602**

Place of cooling:

Walter Roller GmbH & Co.  
 Lindenstraße 27-31  
 D - 70839 Gerlingen  
 Phone: +49 (0)7156 2001 - 0  
 Fax.: +49 (0)7156 2001 26



Version 5.5.2  
 18.11.2004



**Dimensions, Tube volumes, Weights**

Dimensions								Tube vol. [dm <sup>3</sup> ]	Weight [kg]	Connections	
A [mm]	B [mm]	C [mm]	D [mm]	E [mm]	F [mm]	G [mm]	H [mm]			Inlet Ø [mm]	Outlet Ø [mm]
1094	812		350		430	200		3.20	23	12.0 #	18.0

#: Multiple injection with Schrader valve at the outlet

**Electrical loads**

No.	Blade Ø [mm]	Power supply [ V, Hz ]	Input capacity [W]	Current [ A ]	No. of re- volutions [ min <sup>-1</sup> ]	Electric defrost heating			El. aircondition	
						Coil [W]	Drip [W]	Total [W]	[W]	Total [W]
2	250-34 S	~230 V 50/60 Hz	86/80	0,62/0,55	1300/1550	2x730	1x730	2190		

**Capacity data**

	Refrigerant	Capacity P <sub>e</sub> [kW]	Evapora- tion t <sub>e</sub> [°C]	Air inlet t <sub>A1</sub> [°C]	DT1 [K]	Sur- face [m <sup>2</sup> ]	Air capacity [m <sup>3</sup> /h]	Air throw [m]	Sound power [ dB(A) ]	Fin spacing [mm]
Result	R404A	2.10	-6.0	0.0	6.0	10.3	1960	6	66	6.0

**Prices and accessories**

FHVT 602	

Price per unit:

inkl. mat. surcharges, without VAT

